



by Honeywell

## Technical Specifications

# Base for concrete Miller Totem DuraHoist

### Description:

The base for concrete Miller Totem DuraHoist used in conjunction with the Miller Totem DuraHoist post provide a safe anchorage point during maintenance work on electrical transformers.

- 4 anchorage points
- 2 operators maximum on each anchorage point with a maximum of 4 operators on the plate

### References:

1030481  
(to be used with post 1029502)

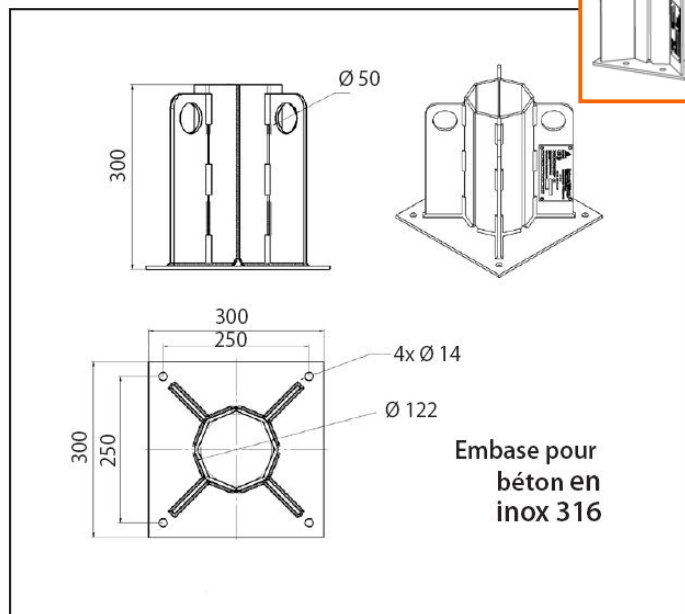
### Features:

Raw material  
Plate :  
Stainless steel 316

Weight : 13 Kg

Static Test : >10 KN

Temperature : -30°C to +50°C



Conform to EN 795 classe A-1 : Anchorage point.

### **LAW of 19 MARCH 93**

PPE are products classified in category III, mortal risks, and as such they have to be the object of a periodic inspection for less than twelve months at the time of its use by the qualified person.

For more information, please contact our technical team at 02 48 52 40 42 or by e-mail [techniserv.hsp@honeywell.com](mailto:techniserv.hsp@honeywell.com)

HONEYWELL FALL PROTECTION FRANCE SAS

35-37 rue de la Bidauderie

F - 18100 Vierzon - France

Tel : +33 2 48 52 40 40

Fax : +33 2 48 71 04 97

Web site : [www.honeywellsafety.com](http://www.honeywellsafety.com)