



by Honeywell

Technical Specifications

Miller Totem DuraHoist Post

Description:

The Miller Totem DuraHoist Post has been especially designed to provide a safe anchorage point during maintenance work on electrical transformers.

- Up to 4 operators (2 on each « S »)
- “S” anchorage point with fall indicator
- Light : only 7.5 Kg
- Red mark to ensure correct insertion of the post inside the plate
- Very easy to set up
- 2 handles for transport

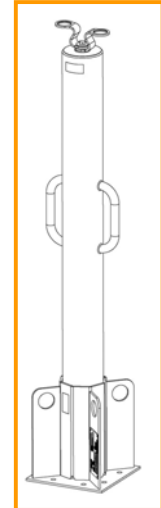
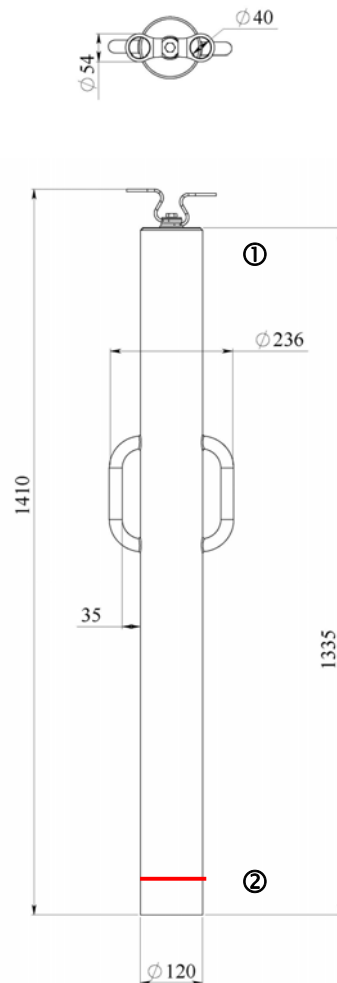
References: 1029502

(to be used with plate to screw 1029503)
Transport bag supplied separately through ref 1029720

Features:

Raw material :

Post :
Aluminium (6063 T5)
Anchorage « S »
Stainless steel 316
Weight : 7.5 Kg
Static Test : >10 KN
Temperature : -30°C to +50°C



Conform to EN 795 classe A-1: Anchorage point (when used with the Totem plate).

LAW of 19 MARCH 93

PPE are products classified in category III, mortal risks, and as such they have to be the object of a periodic inspection for less than twelve months at the time of its use by the qualified person.

For more information, please contact our technical team at 02 48 52 40 42 or by e-mail techniserv.hsp@honeywell.com

HONEYWELL FALL PROTECTION FRANCE SAS

35-37 rue de la Bidauderie

F - 18100 Vierzon - France

Tel : +33 2 48 52 40 40

Fax : +33 2 48 71 04 97

Web site : www.honeywellsafety.com